



**MSJ series**

**MSJ 200 2V 205AH**



**Valve Regulated Lead Acid Battery**

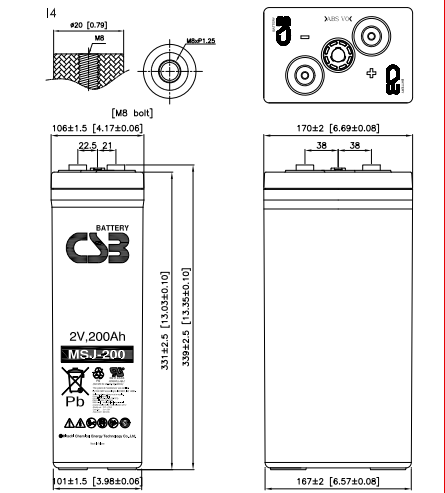
Maintenance-Free Sealed Lead Acid Battery.  
Absorbent Glass Mat (AGM) technology for efficient gas recombination of up to 99%.

**Design for Standby Power Applications**

<p><b>【Design Life】</b> Up to 20 Years in Standby Service at 25°C Eurobat (20°C) : 12 years and longer, Long Life</p> <p><b>【Operating Temperature Range】</b> Nominal Operating Temperature : 25°C (77°F) Discharge : -20°C ~ 50°C (-4°F~122°F) Charge: 0°C ~ 40°C (32°F~104°F) Storage: -20°C ~ 40°C (-4°F~104°F)</p>	<p><b>【Float Charging Voltage】</b> 2.21 ~ 2.25 VDC/Unit at 25°C (77°F)</p> <p><b>【Equalization Charging Voltage】</b> 2.35 VDC/Unit at 25°C (77°F)</p> <p><b>【Self Discharge】</b> Less than 10% after 90 days, can be stored up to 6 months at 25°C (77°F); Fully recharging is required before usage, and charged sooner if stored at higher temperature than 25°C (77°F).</p>
--	--

**Specification**

Nominal Voltage	2V (single cell per unit)		
Nominal Capacity	205 Ah @10hr-rate to 1.80V per cell @25°C (77°F)		
Weight	Approx. 15.00 Kg (33.04 lbs)		
Maximum Discharge Current	1200 A (5sec)		
Internal Resistance	Approx. 0.42 mΩ		
Short Circuit Current	3939A		
Maximum Charge Current	60 A		
Terminal type	I4 thread copper alloy terminal to accept M8 bolt		
Terminal breaking Torque	414 Kg·cm / 359 Lbf·in / 40.57 N·m		
Container Material	Flame Retardant ABS (UL 94-V0)		
Dimensions	Depth (D)	170.0±2.0 mm	6.69±0.08 inch
	Width (W)	106.0±1.5 mm	4.17±0.06 inch
	Container height (h)	331.0±2.5 mm	13.03±0.10 inch
	Overall Height (H)	339.0±2.5 mm	13.15±0.10 inch



**Constant Current Discharge Characteristics Unit: A (25°C, 77°F)**

F.V/Time	15MIN	30MIN	60MIN	2HR	3HR	4HR	5HR	6HR	8HR	10HR	20HR	24HR
1.60V	371	248	152	87.0	62.4	48.2	39.3	33.3	26.0	21.5	10.8	8.98
1.67V	332	236	148	86.0	61.7	47.7	38.9	33.0	25.8	21.4	10.7	8.91
1.70V	312	228	145	85.3	61.3	47.4	38.7	32.8	25.7	21.3	10.6	8.86
1.75V	281	208	138	83.3	60.2	46.5	38.1	32.3	25.3	21.0	10.5	8.75
1.80V	240	184	127	79.7	58.1	45.0	36.9	31.4	24.7	20.5	10.2	8.52
1.83V	212	169	119	76.3	55.8	43.4	35.6	30.5	24.0	19.9	9.94	8.29

**Constant Power Discharge Characteristics Unit: W (25°C, 77°F)**

F.V/Time	15MIN	30MIN	60MIN	2HR	3HR	4HR	5HR	6HR	8HR	10HR	20HR	24HR
1.60V	649	450	276	166	119	93.9	78.0	66.9	51.2	40.1	20.1	16.7
1.67V	603	433	271	165	118	93.3	77.6	66.5	50.9	39.8	19.9	16.6
1.70V	579	422	267	163	117	92.9	77.2	66.2	50.6	39.6	19.8	16.5
1.75V	529	394	256	160	116	91.6	76.3	65.4	49.9	39.1	19.5	16.3
1.80V	475	356	239	154	112	89.2	74.4	63.8	48.4	38.0	19.0	15.8
1.83V	428	332	225	148	108	86.7	72.3	62.2	46.9	36.8	18.4	15.3

Please refer to the official site for the latest rating confirmation. URL: [www.csb-battery.com](http://www.csb-battery.com) Issued: 180205

**Sales Offices**

**日立化成能源科技股份有限公司**  
Hitachi Chemical Energy Technology Co., Ltd.

**BUSINESS HEADQUARTERS**  
Tel: +886-2-2880-5600  
Fax: +866-2-2888-3300

**USA OFFICE**  
Tel: +1-817-244-7777 / 1-(800)3-CSB-USA (272872)  
Fax: +1-817-244-4445

**SHENZHEN OFFICE (CHINA)**  
Tel: +86-755-8831-6488, 8831-6775  
Fax: +86-755-8831-6075

**EUROPE (EMEA) OFFICE**  
Tel: +31(0)180-418-140  
Fax: +31(0)180-418-327

**SHANGHAI OFFICE (CHINA)**  
Tel: +86-21-5046-1622, 5046-0833  
Fax: +86-21-5046-1046

**TAIPEI OFFICE**  
Tel: +886-2-2880-5600  
Fax: +866-2-2888-3300

**BEIJING OFFICE (CHINA)**  
Tel: +86-10-5820-5336, 5820-5338  
Fax: +86-10-5820-3053

Recognized under UL 1989, and certified by ISO 9001, 14001.

